

FLUSH LATCH SET
INSTALLATION INSTRUCTIONS

FIG. 0711 SERIES (WITH PRIVACY LATCH)
FIG. 0715 SERIES (WITHOUT PRIVACY LATCH)



Fig. 0711/0715 Series Flush Latch Sets

MOUNTING INSTRUCTIONS

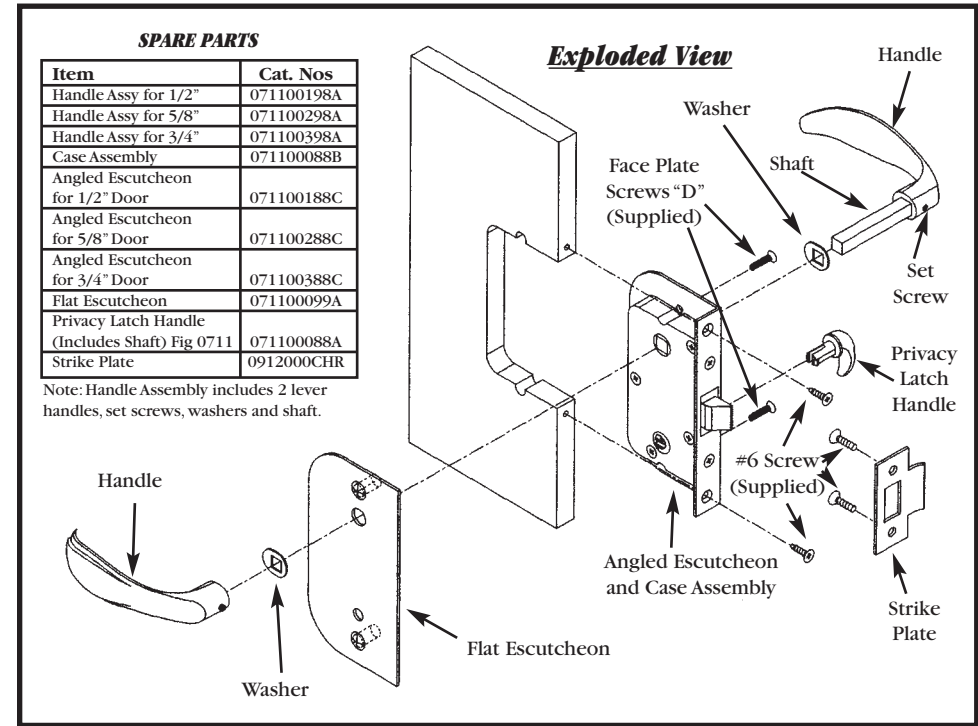
Read all instructions before proceeding.

This series of flush latch sets is designed to be mounted on doors 1/2 inch to 3/4 inch thick.

- 1). Tape template on door at the desired location.
- 2). Mark through template for two 5/8" diameter holes ("A") and two 9/32" diameter holes ("B")
- 3). Drill all 4 holes.
- 4). Notch door out to dimensions shown on template.

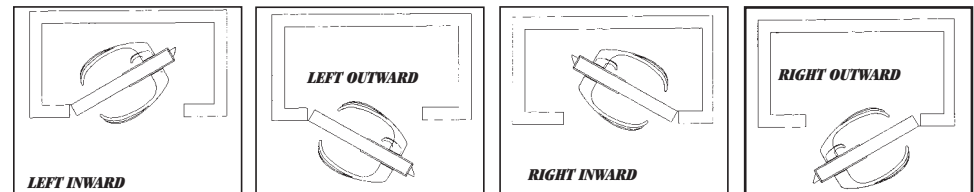
CAUTION: For proper fit, do not exceed notch dimensions.

- 5). Remove handles and separate the escutcheons (by removing two screws "D") Slide latch set assembly into notch in door. Refasten escutcheons with screws "D".
- 6). Use awl and hammer to mark for 3/32" diameter pilots in both holes "C" then align and fasten latch set housing assembly to door with (2) #6 flat head screws. (supplied).
- 7). Attach 'L' handles to the shaft and install in latchset with square washers. Tighten set screws on lever handles.
- 8). Mount strike plate to door frame with (2) #6 flat head screws (supplied).
- 9). NOTE: The 0711 series latch set has a safety unlatch feature on the outside that can be activated by inserting a small blade screwdriver and turning.



<i>0711 Series</i>	<i>0715 Series</i>	<i>Door Size</i>	<i>Type of Latch</i>
0711001LIC	0715001LIC	1/2	Left Inward
0711001LOC	0715001LOC	1/2	Left Outward
0711001RIC	0715001RIC	1/2	Right Inward
0711001ROC	0715001ROC	1/2	Right Outward
0711002LIC	0715002LIC	5/8	Left Inward
0711002LOC	0715002LOC	5/8	Left Outward
0711002RIC	0715002RIC	5/8	Right Inward
0711002ROC	0715002ROC	5/8	Right Outward
0711003LIC	0715003LIC	3/4	Left Inward
0711003LOC	0715003LOC	3/4	Left Outward
0711003RIC	0715003RIC	3/4	Right Inward
0711003ROC	0715003ROC	3/4	Right Outward

Determining the band of the latch set.



NOTE: The privacy latch handle should always be mounted on the door's interior side